

# Ceiling Cassette Compact Type (600x600)



FWF-C



Wireless Remote Controller  
BRC52A



Wired Remote Controller  
BRC51A

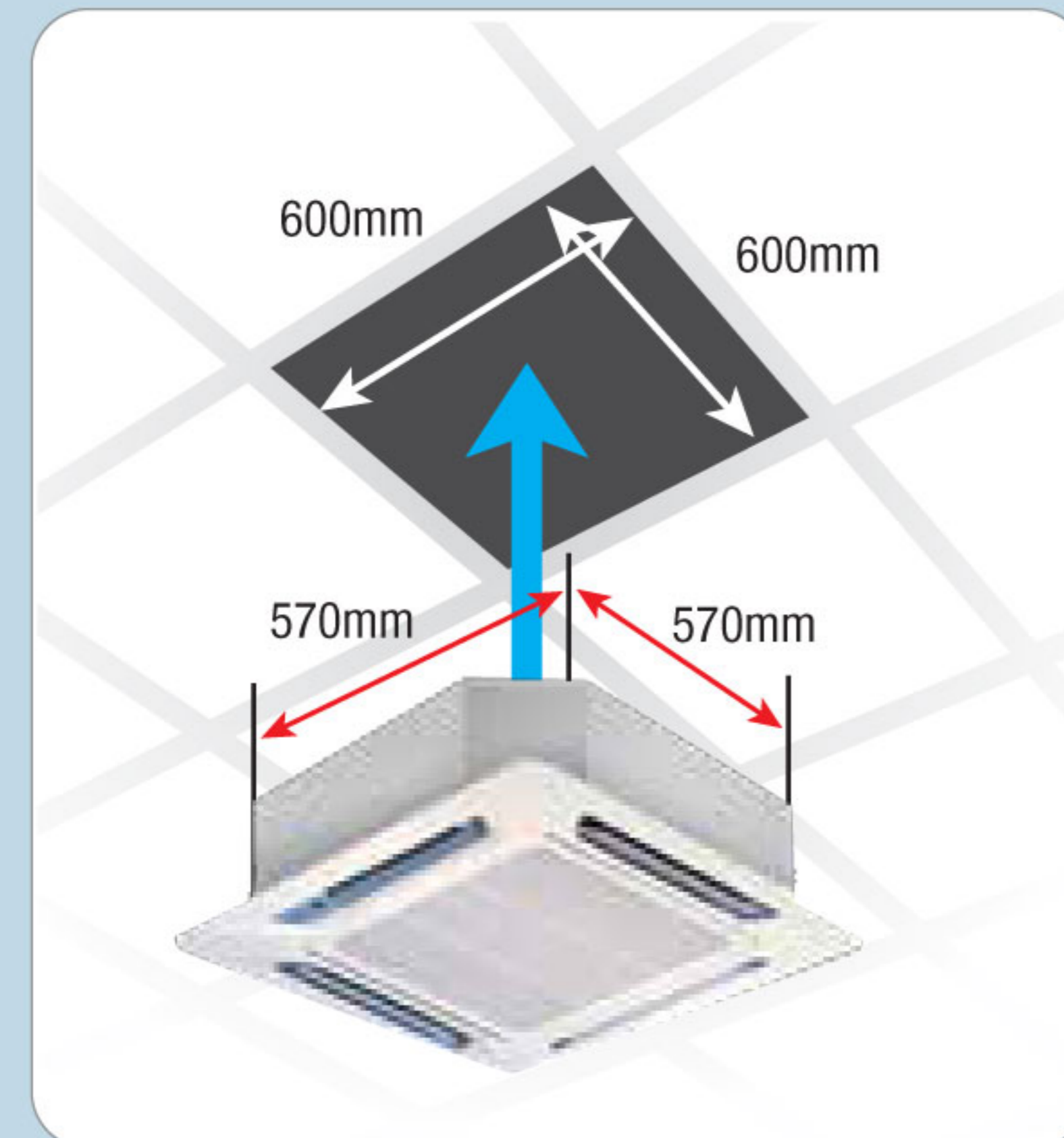
- › Compact Design
- › Fresh Air Intake
- › Stylish & Slim Panel
- › Built In High Head Drain Pump & Water Flow Switch
- › 4 Way Air Discharge & Air Swing
- › Valve Or Valveless Control Options

- › Branch Duct Connection
- › Sleep Function For Cool & Heat Mode
- › Auto Restart With Last-State-Memory
- › NIM-Able
- › Self Diagnosis Features
- › Choices Of Wired Or Withless Remote Controller



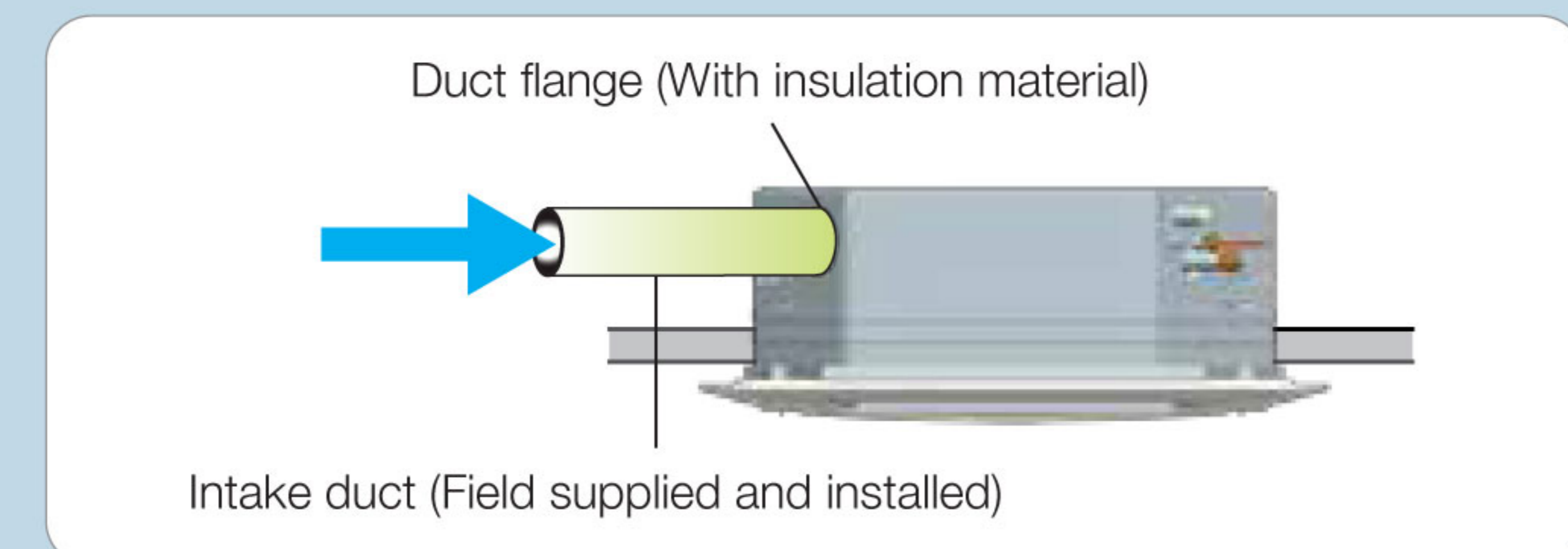
### Compact Design

Ceiling Cassette C Series body dimension is only 570 mm x 570 mm which can easily fits into a 600 mm ceiling grid.



### Fresh Air Intake

- Knock out hole is available at the unit.
- Installation & accessories need to be field supplied & installed.
- Keep the introduction of fresh air intake within 20% of the total air flow. Also provide a chamber and use a booster fan.

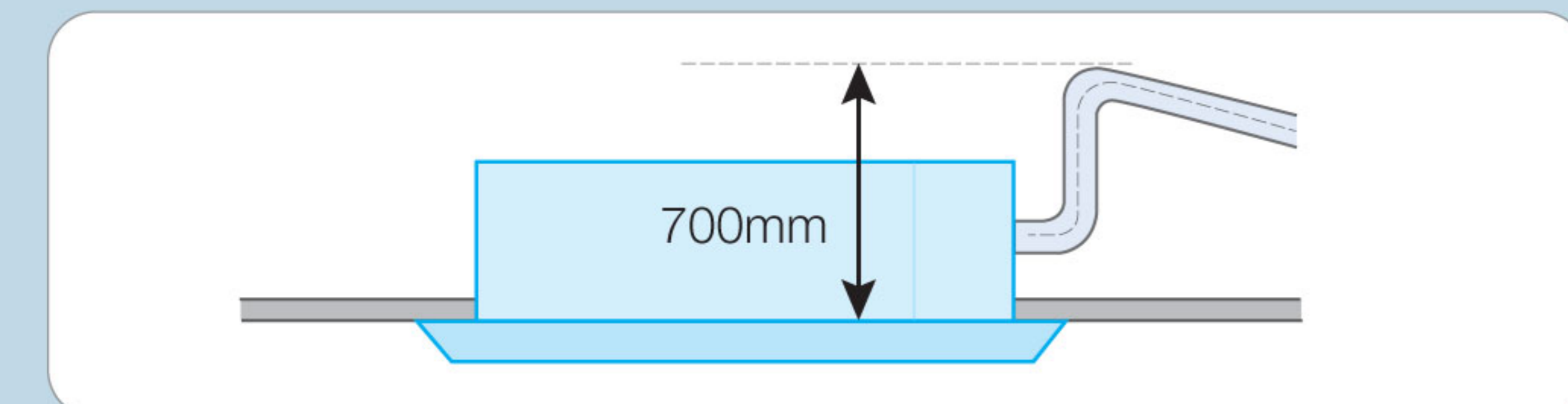


### Stylish & Slim Panel

The slim panel can be blended easily into decoration and interior design.

### Built In High Head Drain Pump & Water Flow Switch

The unit comes with a 700 mm built-in high head drain pump. A safety float is incorporated into the drain pump to monitor its water level.



### 4 Way Air Discharge & Air Swing

It comes with 4 way air discharge and air swing function to ensure better air distribution and circulation in the room.

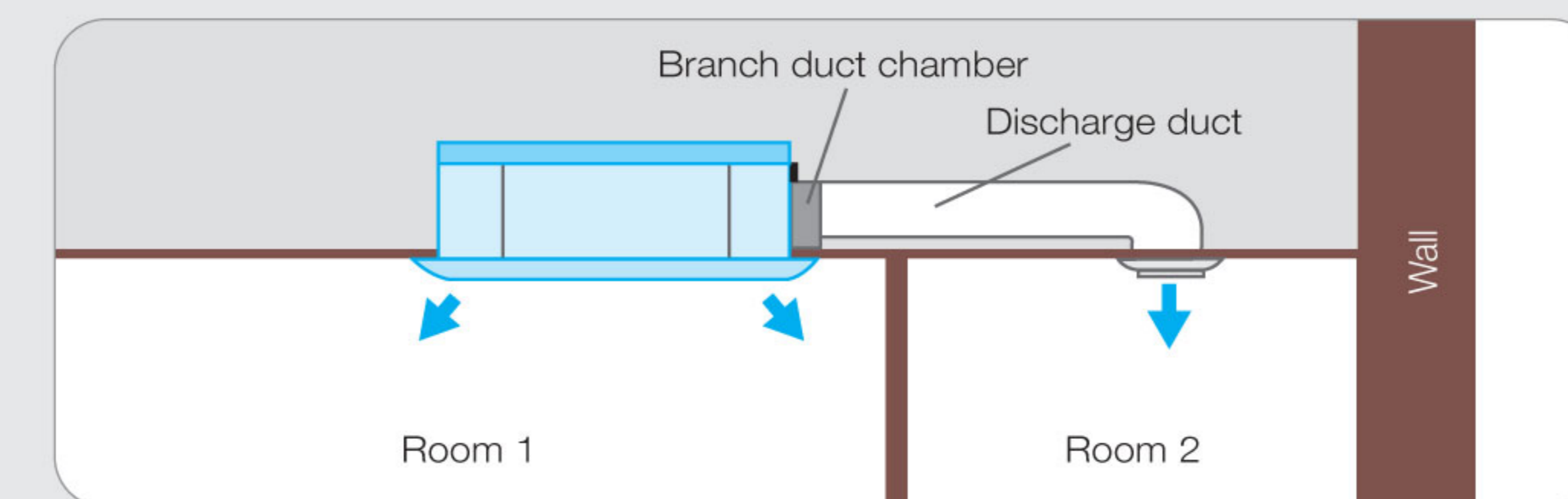


### Valve Or Valveless Control Options

The design is flexible enough to allow for either valve or valveless control installation.

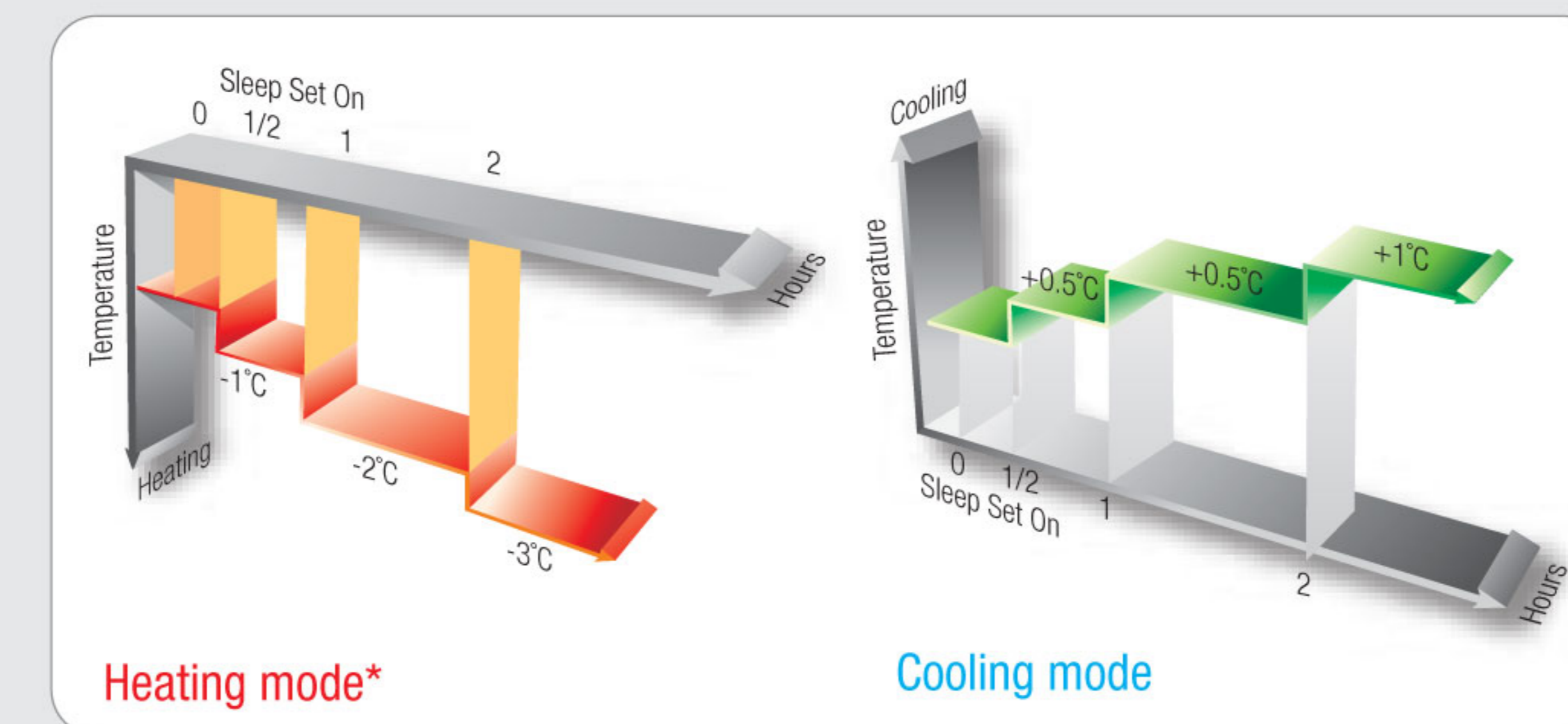
### Branch Duct Connection

Improves air flow distribution when there is an obstruction. It allows for air conditioning of two rooms simultaneously.



### Sleep Function For Cool And Heat Mode

Once activated, set temperature will be increased / decreased gradually according to normal sleeping temperature patterns to ensure a comfortable sleeping environment.

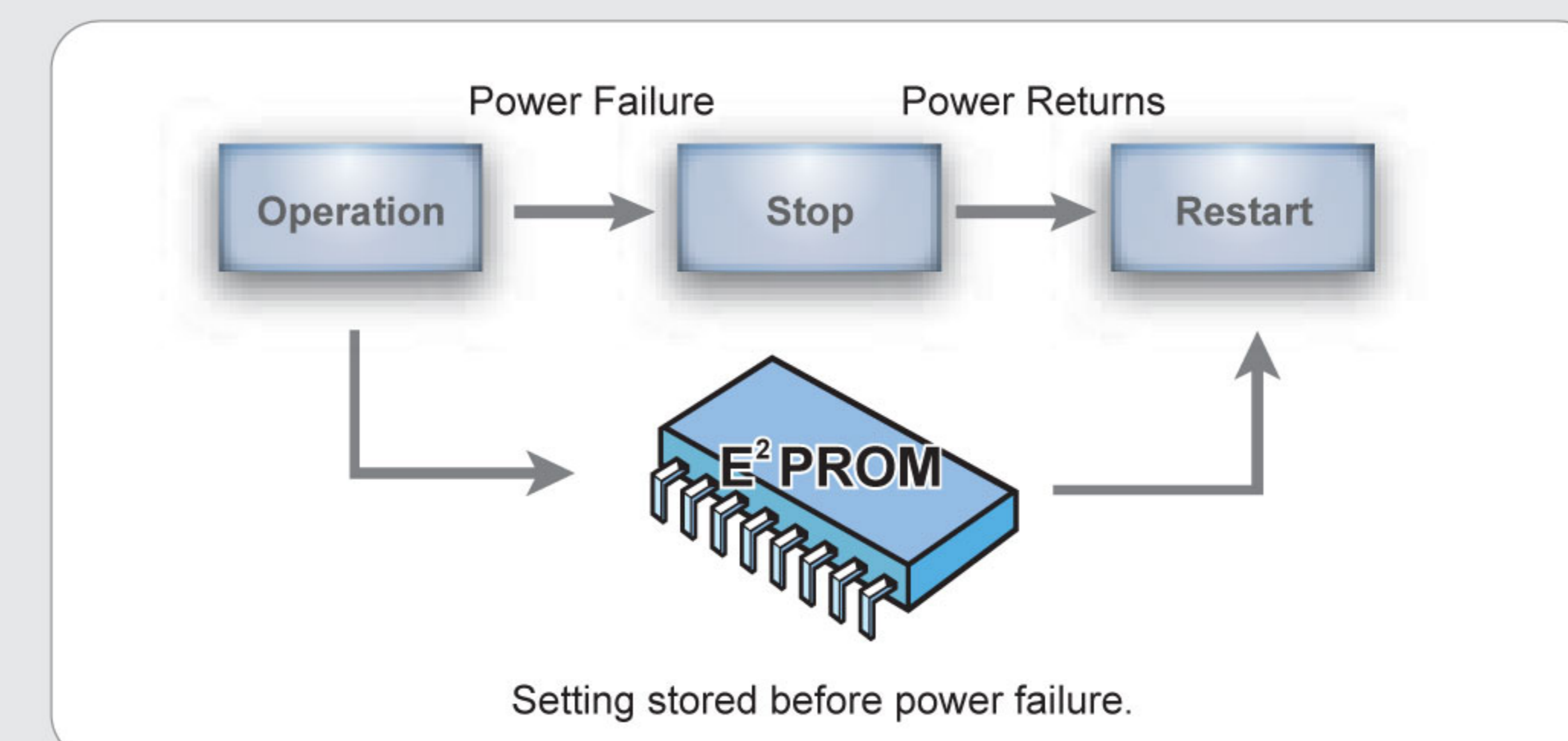


### Self Diagnosis Features

This feature helps to detect any faults or malfunctioning in the system and provide user a warning by blinking of the LED lights.

### Auto Restart With Last-State-Memory

In case of sudden power failure during operation, unit restarts automatically & unit will operate based on previous setting when power is resumed.



### Choices Of Wired Or Wireless Remote Controller

Compact and user friendly wireless BRC52A and wired BRC51A remote controller offer :

- Real Time Clock
- "Glow in the dark" ON/OFF Button
- Low, Medium, High fan speed options
- ON Timer Setting



### Specification for Ceiling Cassette Compact Type ~ 50Hz

MODEL		FWF02C	FWF04C	FWF05C		
NOMINAL COOLING CAPACITY	Btu/h	8500	14000	15500		
	W	2490	4100	4540		
NOMINAL SENSIBLE COOLING CAPACITY	Btu/h	6500	10000	11500		
	W	1910	2930	3370		
NOMINAL HEATING CAPACITY (ENTERING WATER TEMP. = 50°C)	Btu/h	12000	16000	18000		
	W	3520	4690	5280		
NOMINAL TOTAL INPUT POWER	W	63	64	79		
NOMINAL RUNNING CURRENT	A	0.28	0.28	0.35		
POWER SOURCE	V/Ph/Hz	220-240 / 1 / 50				
REFRIGERANT TYPE		N/A				
CONTROL	AIR DISCHARGE OPERATION	4 WAY AUTOMATIC LOUVER (UP & DOWN)				
		LCD WIRELESS MICRO-COMPUTER REMOTE CONTROL				
AIR FLOW	HIGH	CFM	380	400	440	
	MEDIUM	CFM	290	310	330	
	LOW	CFM	230	220	280	
NOMINAL WATER FLOW RATE	USGPM	2.03	3.43	3.57		
	litres/min	7.68	12.98	13.51		
HEAD LOSS (COOLING)	kPa	19.3	26.9	28.8		
HEAD LOSS (HEATING) : 50°C	kPa	16.8	23.9	26.5		
MAX. WORKING PRESSURE	kPa	1608				
SURFACE AIR VELOCITY	m/s	0.75	0.76	0.83		
SOUND PRESSURE LEVEL (H/M/L)	dB(A)	42 / 35 / 29	45 / 38 / 30	48 / 40 / 36		
UNIT DIMENSION - ( ) WITH PANEL	H X W X D	mm 250 X 570 X 570 (295 X 640 X 640)				
PACKING DIMENSION - ( ) PANEL	H X W X D	mm 316 X 630 X 630 (126 X 700 X 726)				
UNIT WEIGHT (UNIT + PANEL)	kg	15 + 3	17 + 3	17 + 3		
CONDENSATE DRAIN SIZE	mm	19.05				
PIPE CONNECTION	mm	19.05				
FAN	TYPE	TURBO FAN				
	DRIVE	DIRECT				
	FAN SPEED	HIGH	RPM	725	810	900
		MEDIUM	RPM	565	630	700
LOW		RPM	460	480	610	
FAN MOTOR	TYPE	INDUCTION				
	INDEX OF PROTECTION (IP)	IP20				
	INSULATION GRADE	B				
	RATED INPUT POWER	HIGH	W	63	64	79
		MEDIUM	W	51	58	73
		LOW	W	46	52	69
	RATED RUNNING CURRENT	HIGH	A	0.28	0.28	0.35
		MEDIUM	A	0.23	0.25	0.32
		LOW	A	0.21	0.24	0.31
	STARTING CURRENT	A	0.32	0.30	0.47	
MOTOR OUTPUT	W	17	23	28		
POLES		6				
COIL	TUBE	MATERIAL	COPPER			
		DIAMETER	mm	7.00		
	FIN	MATERIAL	ALUMINIUM			
		FACE AREA	m²	0.24	0.25	0.25
		ROW		1	2	2
WATER VOLUME	litre	0.43	0.83	0.83		
AIR QUALITY	FILTER	TYPE	WASHABLE SARANET FILTER			
		QUANTITY	pc	1		
CASING		COLOUR	LIGHT GREY			

MODE	COOLING	HEATING
ENTERING AIR TEMPERATURE	27°C DB / 19°C WB	20°C DB
ENTERING WATER TEMPERATURE	7°C	50°C (2 Pipes System) 70°C (4 Pipes System)
LEAVING WATER TEMPERATURE	12°C	45°C (2 Pipes System) 60°C (4 Pipes System)

ALL SPECIFICATIONS ARE SUBJECT TO CHANGE BY THE MANUFACTURER WITHOUT PRIOR NOTICE.